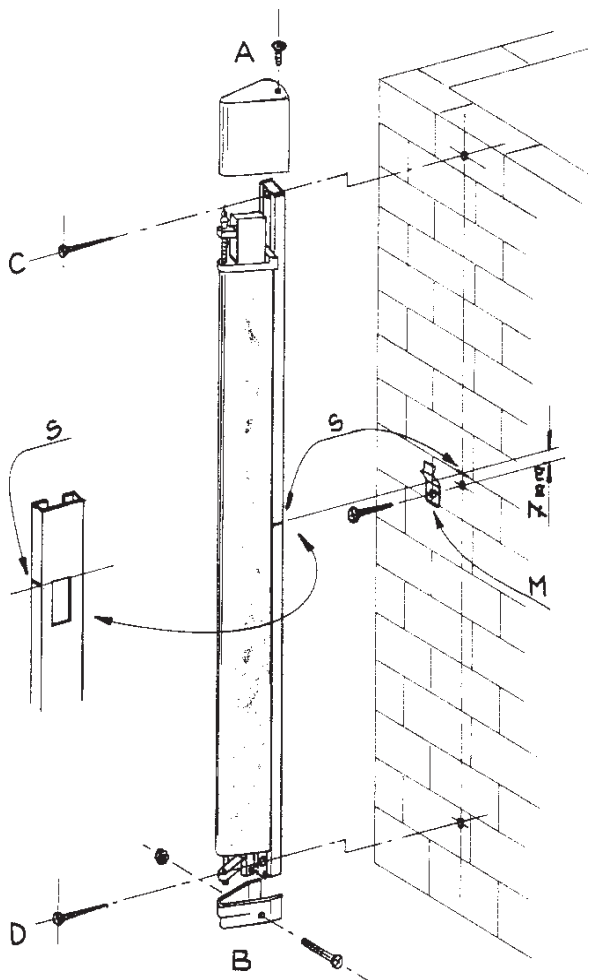


ASSEMBLY INSTRUCTIONS

- Remove upper -A- and lower -B- covers from electromechanical rib.
- Sign a point -S- on aluminium profile in corresponded of upper level of the hole.
- Position the electromechanical rib and sign -S- on the wall.
- Fix the spring -M- by a 6 mm wallplug and screw and then fix the spring -M-.
- Hook electromechanical rib on the spring -M- and pull down to block.
- Sign fixing holes -C- and -D- on the wall, remove the rib and drill holes for 6 mm nylon wallplugs.
- Hook again rib on the spring and fix it by the furnished screws in the indicated points.
- Insert upper cover -A- and lower cover -B-.



ASSEMBLY INSTRUCTIONS

- Remove upper -A- and lower -B- covers from electromechanical rib.
- Sign a point -S- on aluminium profile in corresponded of upper level of the hole.
- Position the electromechanical rib and sign -S- on the wall.
- Fix the spring -M- by a 6 mm wallplug and screw and then fix the spring -M-.
- Hook electromechanical rib on the spring -M- and pull down to block.
- Sign fixing holes -C- and -D- on the wall, remove the rib and drill holes for 6 mm nylon wallplugs.
- Hook again rib on the spring and fix it by the furnished screws in the indicated points.
- Insert upper cover -A- and lower cover -B-.